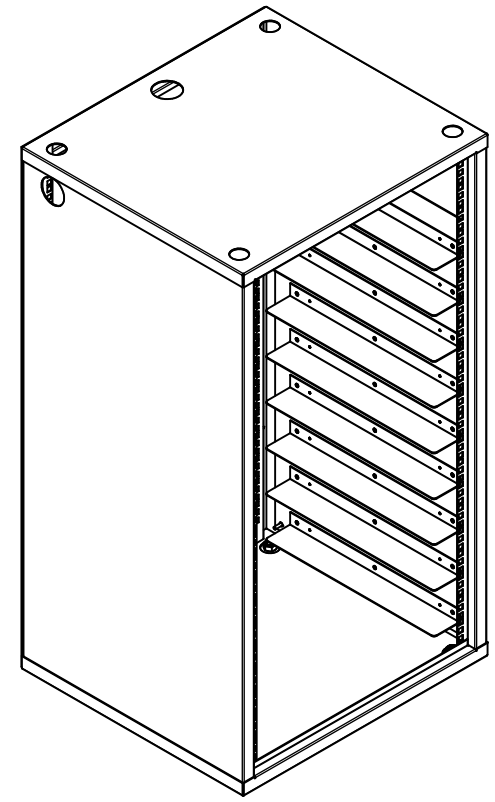
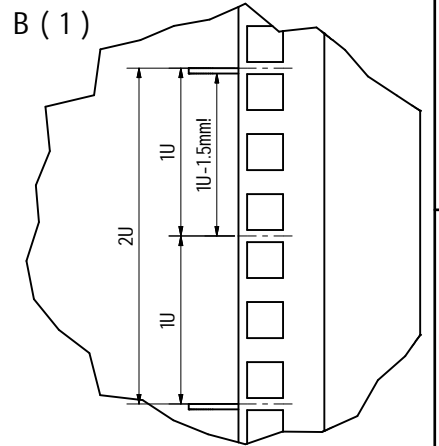
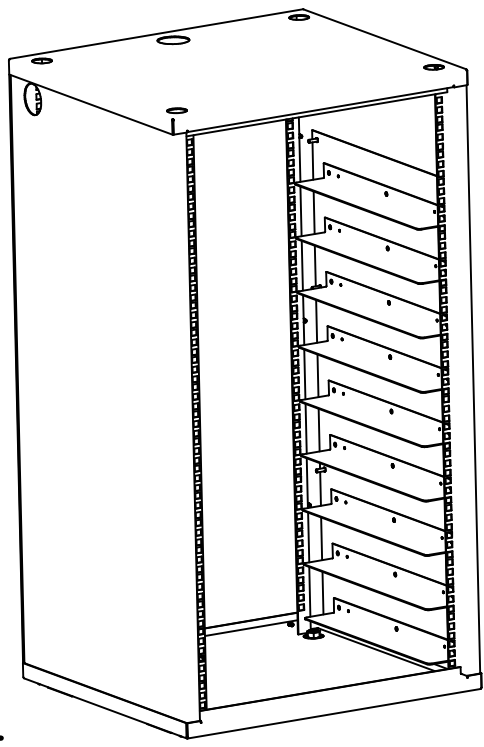


D-D (1 : 5)



INTERPRET DRAWING PER ASME Y14.5M-1994
 DIMENSIONAL LIMITS APPLY
 AFTER APPLICATION OF FINISH
 DRAWING NOT TO SCALE
 TOLERANCE UNLESS OTHERWISE NOTED:
 ANGULAR +/- 1'
 .XXX +/- .25
 .XX +/- .38
 .X +/- .75
 .X FOR REF. ONLY
 UNLESS OTHERWISE SPECIFIED
 ALL DIMENSIONS ARE IN MM

NOTICE:
 Use of this document is subject to a confidentiality and nondisclosure agreement with Great Lakes Case & Cabinet Co., Inc. (GLCC) and may not be reproduced, disclosed or utilized in whole or in part without prior written authorization from GLCC.

PART NUMBER: 243.00.01.01		TITLE 21U 550x500	
QTY PER UNIT: 1			
MATERIAL TYPE:			
MATERIAL THICKNESS (mm):			
FINISH:		DRAWN NO: 2012.07.04 GaborR	
DRAWN			
CHECKED RG			
2012.07.04		DWG NO: 243.01.00.00	REV
		SHEET 1 OF 1	